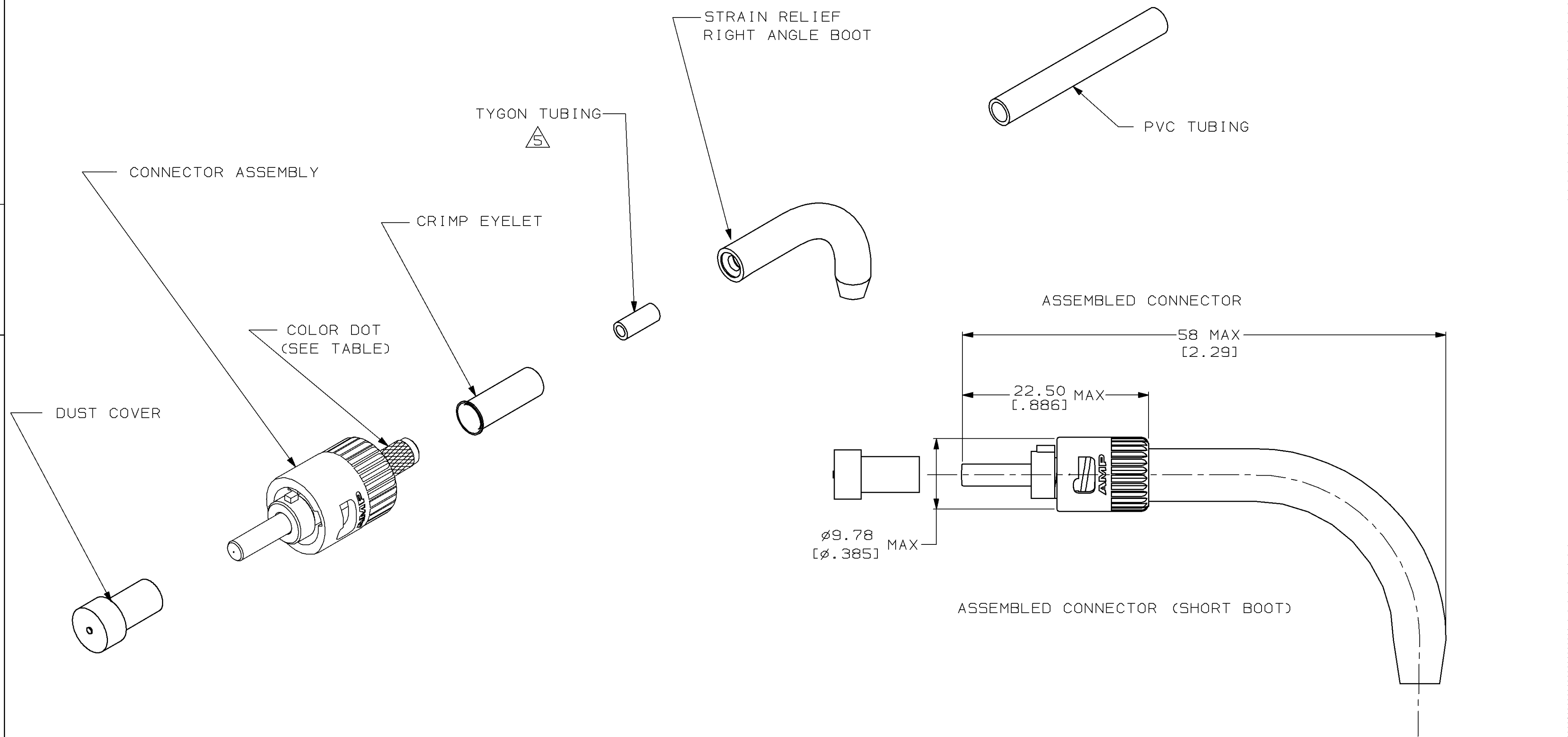


LOC		DIST		REVISIONS				DATE	APPD
CE	16	P	F	ZONE	LTR	DESCRIPTION	11-1-95	DDE	
					E	REV PER 0A00-0406-95			



- DIMENSIONS IN [ ] ARE IN INCHES.
  - INSTRUCTION SHEET 6935.
- ③ BODY: BRASS  
 CAPILLARY: CERAMIC  
 COUPLING NUT: ZINC  
 STRAIN RELIEF: TPE
  - ④ BODY: ELECTROLESS NICKEL  
 COUPLING NUT: ELECTROLESS NICKEL
  - ⑤ USE WITH 900µm BUFFERED FIBER ONLY.

METRIC

DO NOT SCALE PRINT. UNLESS SPECIFIED DIMENSIONS IN mm TOLERANCES ON :	DR 2-1-91 R.HILEMAN	AMP INCORPORATED Harrisburg, Pa. 17105	
2 PLC DEC ± —	CHK 2-1-91 B.BRIGGS	NAME	
3 PLC DEC ± —	APPD 2-7-91 F.ANTONICELLI	CONNECTOR KIT, RIGHT ANGLE, 2.5mm BAYONET, OPTIMATE®	
ANGLES ± —	APPD 2-7-91 D.COLLINS	SIZE	FSCM NO
MATERIAL	PRODUCT SPEC	<b>C</b>	00779
FINISH	APPLICATION SPEC	SCALE	DRAWING NO
		2:1	502674
	WEIGHT		SHEET 1 OF 1